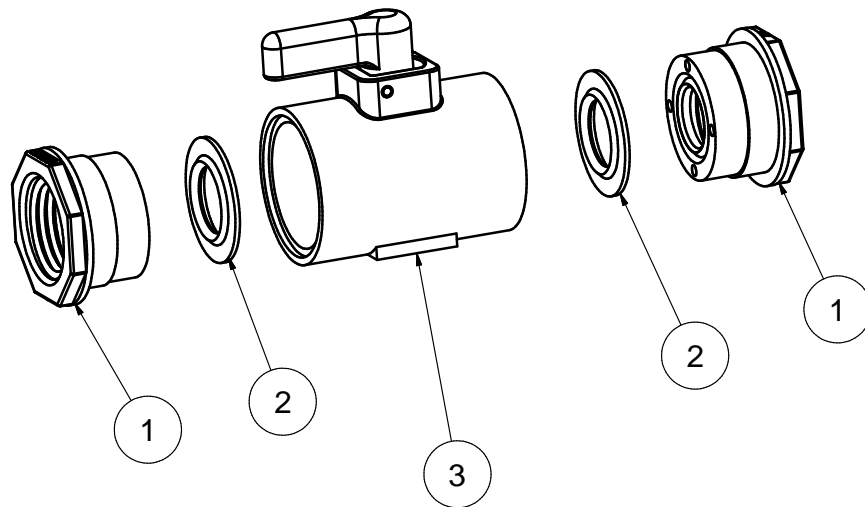
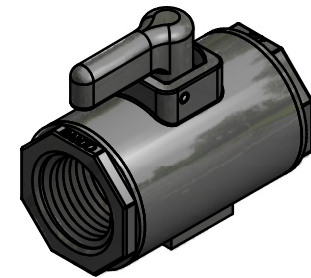


SECTION D-D  
SCALE 1 : 1



Parts List			
ITEM	QTY	PART NUMBER	DESCRIPTION
1	2	LV05256	1/2" NPT ENDPLATE
2	2	LV05258V	1/2" MICRO-VALVE SEAT
3	1	LV050SUBV	LV050 Sub-Assembly



THIS DRAWING AND ALL INFORMATION CONTAINED THEREON ARE THE EXCLUSIVE PROPERTY OF BANJO CORPORATION.

UNLESS SPECIFICALLY NOTED, THIS DRAWING AND ITEMS SHOWN ON THIS DRAWING ARE SUBJECT TO CHANGE AT ANY TIME.



**BANJO CORPORATION**

150 BANJO DRIVE, CRAWFORDSVILLE, IN 47933  
 WEB SITE: WWW.BANJOCORP.COM  
 E-MAIL: SALES1@BANJOCORP.COM

DESCRIPTION  
 1/2" FEMALE NPT MICROVALVE

PART NUMBER  
 LV050V